



Manual

# CONTENT

- 3 Introduction
- 4 Safety Instructions
- 6 Operation
- 7 Barrel
- 9 Tactical stock
- 10 Accessory mounting points
- 11 Air tank & Pressurize
- 14 Externally adjustable regulator
- 15 Externally adjustable hammer spring
- 16 Magazine
- 18 Modular trigger mechanism
- 20 Ambidextrous side lever
- 21 Contact



# Welcome to the EPIC AIRGUNS family

**EPIC VISION – Precision. Power. Freedom.**

Meet EPIC VISION, the airgun that redefines what “ready out of the box” truly means. Crafted by Epic Airguns, creators of some of the world’s most refined precision rifles, the VISION takes everything shooters loved about our legendary models – and makes it lighter, faster, and more intuitive than ever before.

Built for hunters, explorers, and precision shooters who demand performance without compromise, the VISION delivers benchrest-grade accuracy in a design made to move. No endless tuning, no fragile balance – just pure, reliable power and engineering perfection.

### Highlights include:

- Re-engineered valve system for smoother, more consistent shots
- Adjustable hammer spring with a visible setting indicator
- New quick-fill system with fast-connect adapter
- Lightweight construction for all-day field carry
- EPIC-level craftsmanship – precision-machined, built to last

Because performance shouldn’t come with limits – only with VISION.

# Safety Instructions

**WARNING! THIS PRODUCT IS NOT A TOY. IT IS A PRECISION AIR RIFLE FOR TARGET SHOOTING. READ THIS QUICK SETUP MANUAL CAREFULLY BEFORE USING YOUR AIR RIFLE. ENSURE YOU UNDERSTAND THESE INSTRUCTIONS AND WARNINGS BEFORE USING THIS AIR RIFLE. FAILURE TO FOLLOW AND HEED THESE INSTRUCTIONS AND WARNINGS MAY RESULT IN SERIOUS INJURY, DEATH TO YOU AND OTHERS, OR PROPERTY DAMAGE.**

The EPIC VISION air rifle is a dangerous weapon that must be handled with extreme caution. This air rifle should always be pointed in a **safe direction** and handled as if it were loaded and ready to fire.

The EPIC VISION is an air rifle for precision target shooting with extreme accuracy and for competition shooting. To achieve this level of competition accuracy, the EPIC VISION has an extremely lightweight fully adjustable modular trigger. The air rifle must be in **SAFE** mode whenever it is handled or transported. When the air rifle is in **FIRE** mode, the impact can cause an accidental firing. The user must always use extreme caution when handling or transporting the firearm - always keep the firearm loaded, in **SAFE** mode or unload it by firing in a safe direction to prevent accidental firing. Always point the air rifle in a safe direction when opening the bolt and removing the magazine. **SAFETY IS YOUR RESPONSIBILITY!**

- Familiarize yourself with and adhere to applicable national, local, and regional laws regarding compressed air and the use and transportation of air rifles.
- Do not load or fire this air rifle until you have thoroughly read this manual and understand its safety features.
- Treat this and any other air rifle as if it were loaded and ready to fire.
- Do not look into the barrel of the air rifle. An accidental firing can cause loss of vision, serious injury, or death.

- Keep the muzzle of the air rifle pointed in a safe direction until you are ready to shoot. Never aim the air rifle at anything you do not intend to shoot.
- Always keep the muzzle pointed in a safe direction.
- Load and insert the magazine into the rifle only when it is ready for immediate use. • Do not handle or disassemble the air rifle when it is pressurized.
- Do not display or exhibit this product publicly, as it may cause confusion and may be considered a criminal offense.
- To purchase or use this air rifle, you must be at least 18 years old. Store this air rifle out of the reach of children.
- When handling or shooting the air rifle with pressurized rounds, always use protective eyewear designed for sport shooting.
- Do not refill the compressed air magazine after its pressure test/certification has expired.
- The trigger of the EPIC VISION air rifle may be set to be extremely sensitive to impacts, extreme caution is necessary to prevent accidental shot.
- Do not disassemble, modify, or replace any internal components of your air rifle unless specifically instructed in this manual. Improper handling of internal components can affect the safety and reliability of your air rifle and may result in serious injury or death.
- Any maintenance, repair, or servicing performed by anyone other than EPIC AIRGUNS or a qualified service center or gunsmith may affect the safety and reliability of this air rifle.
- Only use original parts from EPIC AIRGUNS in your air rifle.
- This safety and instructional manual should always accompany this air rifle and be provided with it when transferring ownership or passing it to another individual. Copies of this safety and instructional manual are available for download at <https://www.epicairguns.com>.

## Operation

### Safety - Safe Mode

The air rifle is considered temporarily secured when shooting is interrupted if the safety is in the SAFE mode, and the firearm is pointed in a safe direction.

For full air rifle safety, remove the magazine and confirm the unloading of the air rifle by firing it in a safe direction, and ensuring that the safety is switched to the SAFE mode.

### Safety - Fire Mode

The air rifle is in fire mode when the safety is in the FIRE mode. Due to the potential for a very sensitive trigger of the EPIC VISION air rifle, which can be accidentally activated by an impact, the air rifle's safety should only be switched to FIRE mode when it is pointed in a safe direction and ready to fire.

**CAUTION!** Always assume that the air rifle can accidentally fire, and when handling the air rifle outside a safe area, always ensure that the air rifle is fully secured: the magazine is removed, the empty pellet or slug chamber is confirmed by firing it in a safe direction, and the safety is switched to the SAFE mode.



## Barrel

The barrel assembly of the EPIC VISION air rifle consists of a total of five parts:

1. The barrel, according to the caliber of the air rifle purchased and your choice of length. All barrels types are non-choked with twist rate 17,7" for calibers .177 .22 and .25 and 29,9" for caliber .30.
2. A carbon shroud for the air rifle, allowing for proper barrel pre-tensioning for potential harmonic tuning of the barrel for various types and weights of pellets.
3. A spacer for centering the shroud and mounting it towards the body of the air rifle.
4. A locking nut to hold the previous spacer in position, also intended for proper barrel pre-tensioning.
5. A spacer for centering the shroud at the end of the barrel; by tightening or loosening this part relative to the locking nut, you can fine-tune the barrel tensioning for various types and weights of pellets.

To adjust, which means loosening or tightening this part, you can purchase a special tool that fits a ½" torque wrench.



To achieve precise barrel tensioning of your desired setting, we recommend using a ½" torque wrench with a torque range between 8 - 14 Nm. The barrel is factory preset to 10 Nm.



With the EPIC VISION barrel, you can only increase the barrel tensioning without disassembling it from the air rifle body by tightening it to more than 10 Nm. To reduce the barrel tensioning, you need to disassemble the entire barrel from the air rifle body, loosen the barrel assembly using the locking nut and spacer, reset the torque wrench to the desired tightening/tensioning force of the barrel assembly, and then tighten the entire barrel assembly to this force.

It is emphasized that the recommended barrel tensioning should **not be lower than 8 Nm or higher than 20 Nm**.

The overall barrel tensioning can also be affected by the properties of the surrounding environment, such as sudden changes in temperature, and this change should be taken into account when fine-tuning the barrel tensioning. In general, it can be said that significantly lower ambient temperatures can increase the barrel tensioning. All EPIC VISION barrels are uniformly chambered and allow for precise shooting with both „Diabolo“ type pellets and „Slug“ type pellets.

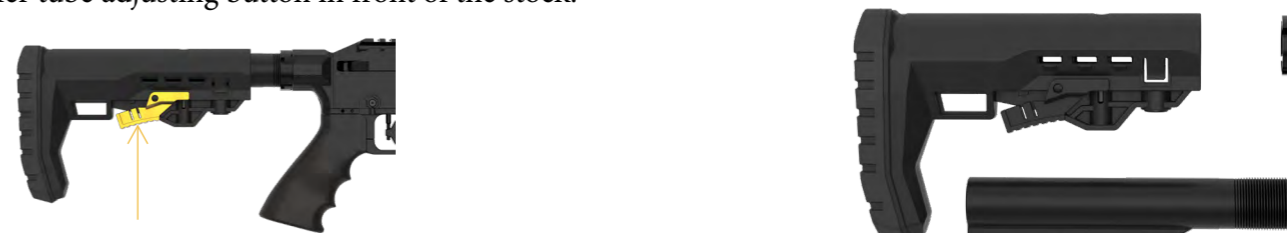
The EPIC VISION barrel assembly is terminated with an M27x1 thread, which allows for the installation of an optional EPIC external silencer, muzzle break (available as an accessory) or a conversion to ½“ UNE, which is provided in the basic configuration of the EPIC VISION air rifle.



## AR-15 stock

The EPIC VISION comes with an AR-15 stock installed. Buffer tube is in Mil-spec configuration and you can change the AR-15 stock for any type with this specification.

You can adjust the length of the stock. For each adjustment you have to press the lever shown below to be able to extend or shorten the stock. To remove the stock completely of the tube you have to doublepress the lever. AR-15 stock set includes buttstock, buffer tube and castle nut. QD sling mount has located close to the buffer tube adjusting button in front of the stock.



# Accessory mounting points

The EPIC VISION air rifle has the following accessory mounting points:

1. 1/2UNF thread
2. QD - Quick Detach for sling attachment
3. Bottom picatinny rail attaching a bipod or tripod
4. Picatinny rail for mounting a scope with a 30 MOA tilt for long-range shooting capability
5. AR-15 Compatible grip
6. QD - Quick Detach for sling attachment



# Air tank

**WARNING!** Improper use, filling, or storage of the air tank can result in property damage, serious injury or death.

- Do not overfill the air tank (maximum fill pressure = 4350 psi or 300 bar).
- Never attempt to modify the air tank.
- Any air tank that has been exposed to fire or heated to temperatures above 121°C/250°F must be destroyed by qualified personnel.
- Fill with compressed air only.
- Before filling, carefully inspect the air tank for cracks or physical damage. If you notice any cracks or damage, do not use the air tank until it has been inspected or replaced by a qualified expert.
- If the hose, connector, or any other high-pressure component starts to leak, immediately step away and allow it to vent until the pressure has been reduced.
- Never expose any part of your body to escaping high-pressure air, as it may cause injury.

**WARNING!** Do not apply any lubricants to the air tank or fill adapters, as it may cause an explosion. Do not disassemble the air rifle when it is pressurized.

## Volume of air tanks

Barrel length:	300 mm	420 mm	550 mm	700 mm
Classic air tube:	125 cc	205 cc	295 cc	295 cc
Plenum	50 cc	50 cc	50 cc	50 cc
Carbon fiber bottle	300 cc	580 cc	580/700 cc	580/700 cc

## Filling air

The air pressure in the air tank is indicated on the air tank pressure gauge.

When filling with air, the air tank must be fully seated, and the air rifle safety must be in the SAFE mode.

Connect the supplied EPIC VISION air rifle filling foster adapter on the high-pressure hose of your air bottle or compressor, and connect it with filling port. Before you begin filling, ensure that the foster is fully seated and secured. Do not exceed 300 BAR or 4350 PSI pressure.



## Releasing Air / Depressurizing the rifle

The EPIC VISION air rifle has venting points that allow for complete depressurization of the air reservoir. To depressurize, loosen the bleed point screw and wait until all the air has gradually escaped.

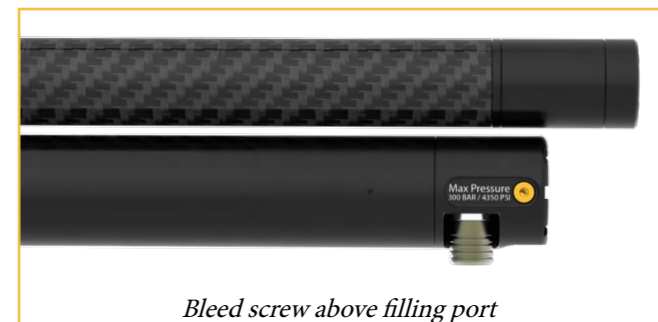
**WARNING!** Never loosen the locking screw completely, it could blast uncontrollably into the space under air pressure and cause serious injury or death.

To comply with FAA and TSA requirements, the air reservoir should be removed from the air rifle whenever you transport it or travel by air.

Before pressurizing the air rifle, be sure to re-tighten the EPIC VISION air rifle vent point screw.



*Bleed screw on the main body*



*Bleed screw above filling port*

## Externally adjustable regulator

**WARNING!** Before making any changes to the pressure regulator, ensure that your EPIC VISION air rifle is in the SAFE position to prevent accidental shot.

The regulated air pressure for shooting is displayed using a pressure gauge located at the side of the rifle next to the trigger mechanism.

The EPIC VISION regulator is externally adjustable using a special key for the regulator's adjustment point. This key is included with the rifle as part of the standard equipment.



By turning the regulator adjustment point clockwise (CW), you increase the pressure, and by turning it counterclockwise (CCW), you decrease the pressure. To see the effect of reduced pressure on the regulator's pressure gauge, you may need to take a few dry shots into a safe area, or you can release air from the regulator's depressurization point. All these settings can be done with the pressured air tank.



The externally adjustable pressure regulator in the EPIC VISION air rifle is designed to work in the range of **70-170 BAR (safe zone)**. Exceeding the regulator's maximum pressure setting can damage the regulator. **When reducing the pressure in regulator, always rotate no more than a quarter turn and then take 2 to 3 empty shots to safe area to reduce the pressure in the plenum.** Repeat the step until you reach the desired pressure.

## Hammer spring adjustment

The EPIC VISION air rifle allows external adjustment of the hammer spring for optimal adjustment of the balance between the pressure of the regulator and the force of the hammer strike. **Everyone should tune the spring tension force to a given pressure on the regulator**, otherwise inconsistent shots and inaccuracy may occur. Adjustment can be done with a tool supplied with rifle or with a thinner allen key from the side. It is very important to setup the hammer spring in a correct way to get the best results from our rifles.

Note: In general, the hammer spring should be loosened as the regulator pressure is reduced. **Do not overtighten the hammer spring too much, otherwise inconsistent shots may occur and accuracy can be affected.**



## Magazine

The EPIC VISION air rifle magazine is a simple with preloaded rotary system. The loading side of the magazine has a metal cover plate. First step is to remove the cap that holds on magnets. To insert the first pellet in, turn the magazine to last position and insert first pellet to the first hole. This pellet will hold the rotary mechanism and now you can fill other slots in your magazine.



### INSERTING THE MAGAZINE INTO THE EPIC VISION AIR RIFLE

The air rifle safety should always be in the SAFE mode. Ensure that the loading area for the magazine is clear, without any obstructions, and that the cocking lever is fully retracted by pulling back on the lever handle until it is in the rearward position. Insert the loaded magazine into the magazine base until you hear a click once it reach the final position.(orientation and direction as shown in the following image).



Do not close the bolt of the air rifle until you are ready to shoot. When you are ready to shoot, always point the EPIC VISION air rifle in a safe direction, push the bolt handle forward to load a pellet into the barrel. If you encounter excessive resistance when moving the bolt handle forward, do not continue. Pull the bolt handle back, remove the magazine, and clear the jammed pellet. After firing, pull the bolt handle back. You may feel or hear the magazine rotate and prepare the next pellet in position before returning the bolt handle forward. Load the next pellet, and close the bolt.

### UNLOAD THE EPIC VISION AIR RIFLE FOR SAFE HANDLING

The EPIC VISION air rifle should be unloaded whenever it is being transported or otherwise handled. To empty the rifle, follow these steps:

Pull the bolt handle all the way back to open the bolt and remove the magazine. Push the bolt handle all the way forward to close the bolt. Fire the rifle in a safe direction to clear the barrel of any ammunition.

This will ensure that the air rifle is empty and safe to handle.

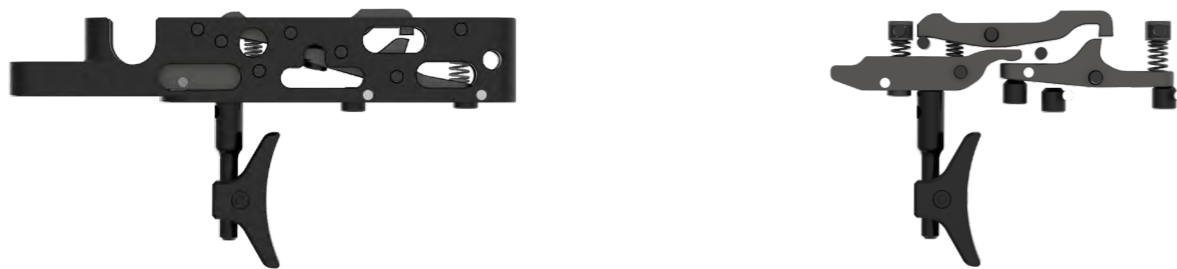
# Trigger adjustment

The trigger on the EPIC VISION air rifle is fully adjustable and can be customized to suit your needs, whether you are a hunter or a sport shooter. The entire trigger mechanism can also be easily removed and replaced for another with different trigger settings. This way you don't have to constantly adjust the trigger. The trigger mechanism is held in place by just two screws that you just need to loosen. You can then remove the entire mechanism from the gun.

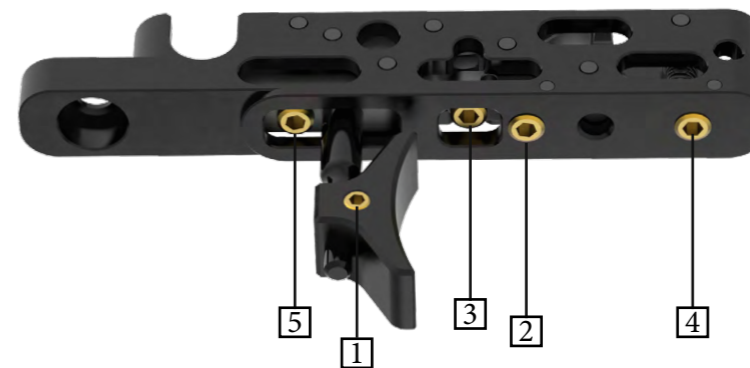
**WARNING!** The EPIC VISION air rifle may have an extremely light competition trigger setting which should always be handled with care. Any shocks or impacts when the gun is not in SAFE mode may result in accidental shot.

The trigger can be individually adjusted in terms of trigger blade height and lateral tilt, force/weight sensitivity, length of first phase and drop.

Care must be taken when configuring the trigger, incorrect settings may lead to accidental firing.



1. **Trigger Height/Angle** - Secured by a locking screw on the side of the trigger blade. The trigger blade can be adjusted up or down along the trigger and deflected by twisting left or right, then locked in place with the locking screw.
2. **Trigger drop** - sets the rear trigger drop limit. Ideally the trigger should stop just after the trigger is activated. Turning the set screw clockwise will move the travel limit forward, while counterclockwise will move it back.
3. **First Phase Length** - adjusts the length of trigger movement before trigger activation. Rotate adjustment screw clockwise to shorten the length of trigger movement before it is activated, while turning it counterclockwise lengthens the length of trigger movement before it is activated.
4. **Trigger force/weight** - sets the force/weight required to activate the trigger after the first phase length is exceeded. Turn the adjusting screw clockwise to increase the force/weight required to activate the trigger, turn counterclockwise to decrease the weight/force required.
5. **Resistance of the first phase**



**IMPORTANT!** The trigger settings described above may interact with each other and have their limits, it is recommended that you spend enough time adjusting the trigger to find the setting that suits you best. The trigger settings can be affected by extreme changes in ambient temperature as it is fully mechanical. We recommend that you check the correct trigger setting for the temperature conditions you wish to shoot in.

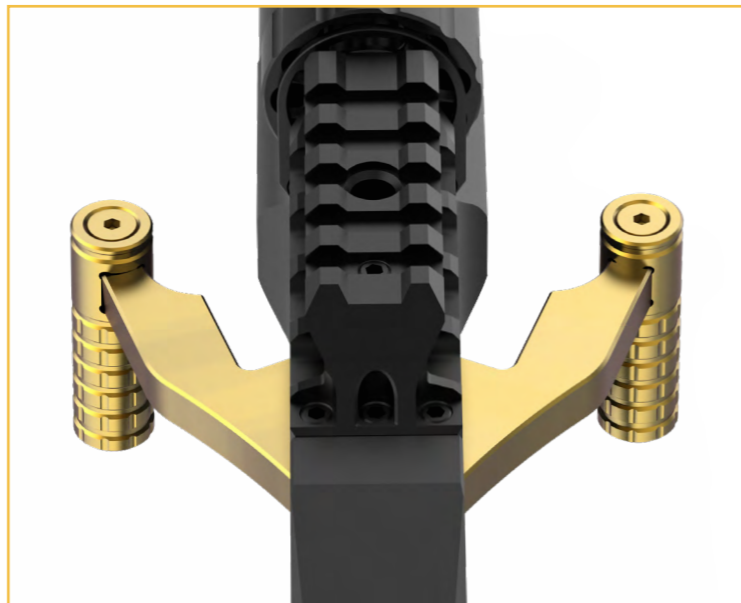
## Ambidextrous side cocking lever

The ambidextrous side cocking lever is a versatile feature designed to cater to the needs of both left-handed and right-handed shooters. This innovative design allows for seamless operation, regardless of your dominant hand, providing a comfortable and efficient shooting experience.

VIDEO TUTORIALS FOR ALL ADJUSTMENTS  
AND MODIFICATION CAN BE FOUND AT OUR  
YOUTUBE CHANNEL



SCAN ME



Let us wish you many successful and accurate shots with the EPIC AIRGUNS made for you by a team of shooters who care about the quality, accuracy and enjoyment of using the gun we have designed for you. For more information on accessories you can upgrade your airgun with, precision gun tuning, instructional videos or field tests, follow our Facebook, Instagram and our website [www.epicairguns.com](http://www.epicairguns.com)

With friendly regards,

YOUR EPIC AIRGUNS TEAM



Follow us



@epicairguns



@epicairguns



@epicairguns

[www.epicairguns.com](http://www.epicairguns.com)

