

1 2 3 4 5 6 7 8

A

A

B

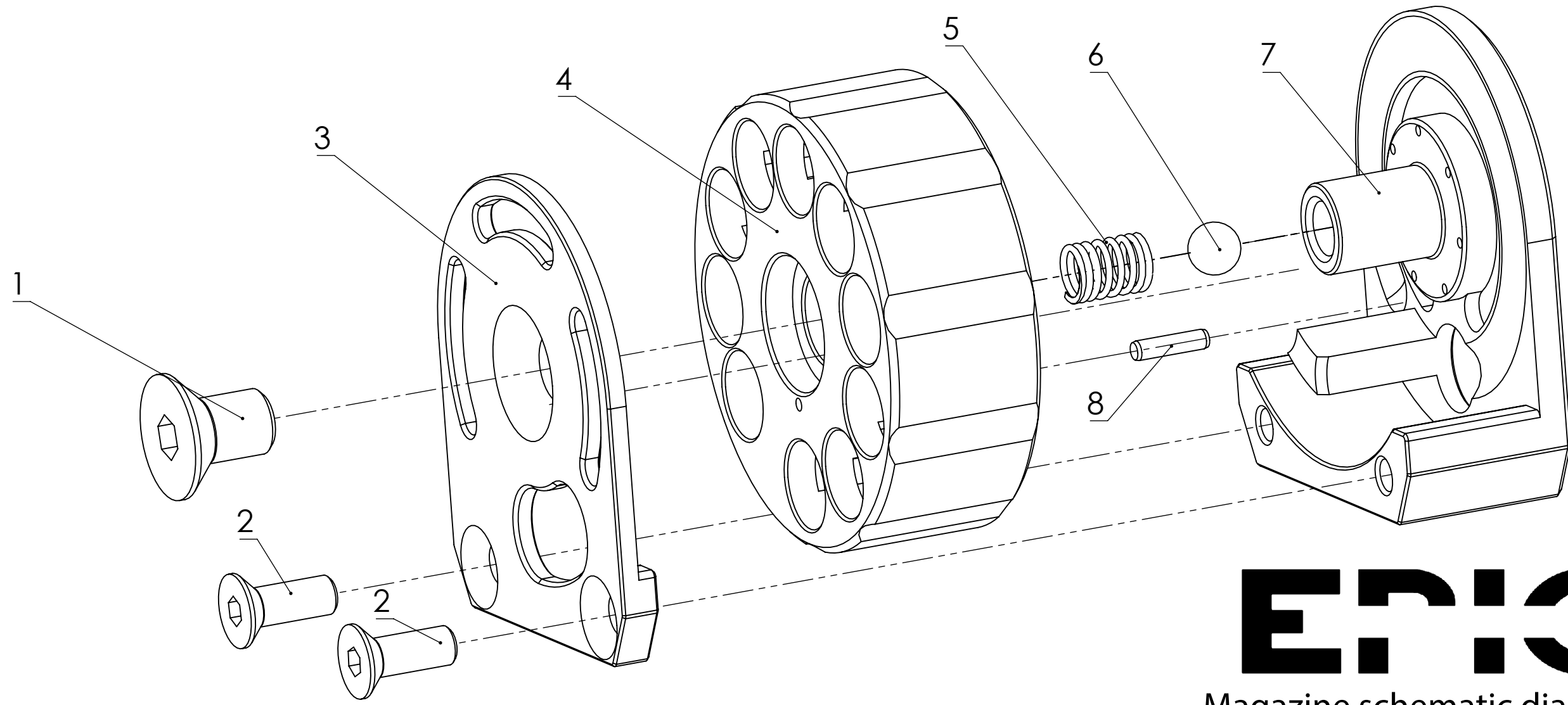
B

C

C

D

D



# ERIC

## Magazine schematic diagram

Item no.	Item Code	Description	Quantity
1	25M105	Screw TORX countersunk M5x10	1
2	829502	Screw countersunk M3x6	2
3	08S_11D	Cover plate	1
4	08S_07D	Magazine	1
5	05473625	Spring 0,5x4x7,3x6,25	1
6	38558.01	Steel ball 4 mm	1
7	08S_03D	Magazine base	1
8	858609	Cylindrical PIN DIN 6325 1,5x6 M6	1

1 2 3 4 5 6 7 8